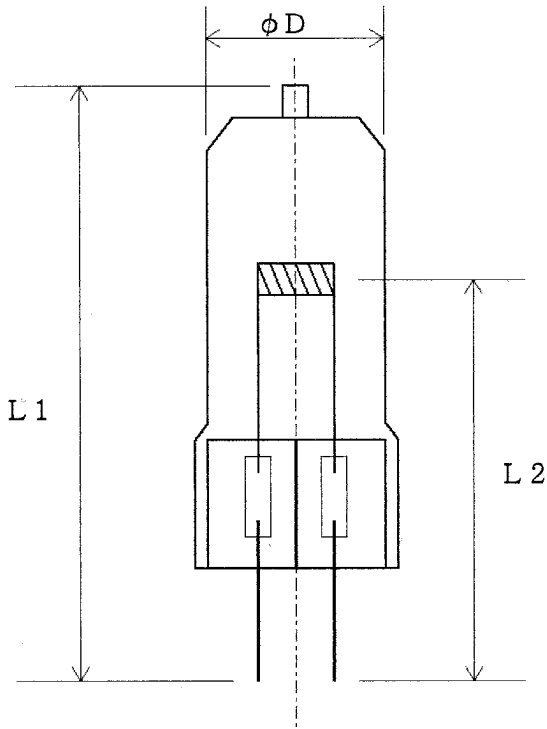


NO	Alteration	NAME
0	AUG. 2. '99 NEW	S. O
1		
2		

F
i
g
u
r
e

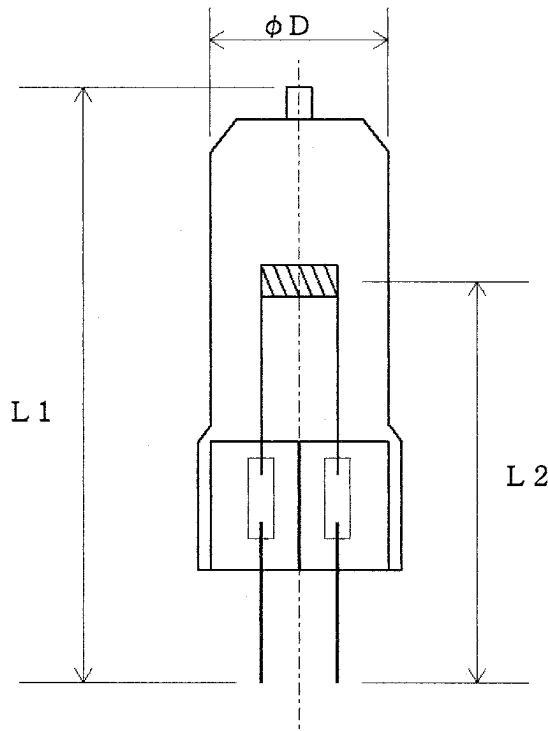


Note
Base:G6.35
Burning position:Any

Item	Type	40W	50W		
S I Z E	L1	MAX (mm)	44.0	44.0	
	L2	± 1.0 (mm)	30.0	30.0	
	ϕD	MAX (mm)	11.0	11.0	
L i f e C h a r a c	Average Life	(Hr)	1,000	1,000	
	Approx. Lumens	(lm)	800	1,000	
	Color TEMP	(K)	3,000	3,000	
	Wattage	(W)	40	50	
	Voltage	(V)	22.8	22.8	
	FILAMENT		CC-6	CC-6	
Products	Lamp	Type	APPROVE	CHECK	DESIGN
HALOGEN	JC22.8V Kr	CC-6	<i>[Signature]</i>		S. O

NO	Alteration	NAME
0	OCT. 18. '00 NEW	S. O
1		
2		

F
i
g
u
r
e



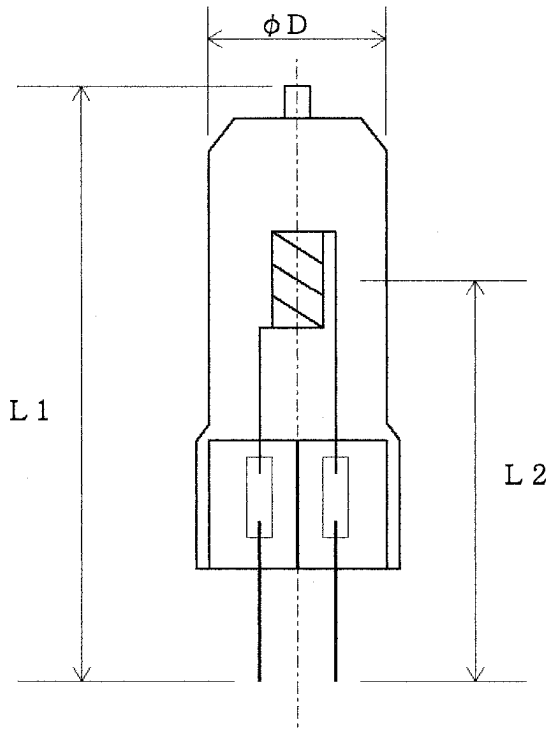
Note
Base: G6. 35
Burning position: Any

Item	Type	50W			
S I Z E	L1	MAX (mm)	44.0		
	L2	± 1.0 (mm)	30.0		
	ϕD	MAX (mm)	11.0		
L i f e C h a r a c	Average Life	(Hr)	700		
	Approx. Lumens	(lm)	1,050		
	Color TEMP	(K)	3,000		
	Wattage	(W)	50		
	Voltage	(V)	22.8		
	FILAMENT		C-BAR6		

Products	Lamp	Type	APPROVE	CHECK	DESIGN
HALOGEN	JC22.8V Kr	C-BAR6	<i>[Signature]</i>		S. O

NO	Alteration	NAME
0	AUG. 2. '99 NEW	S. O
1		
2		

F
i
g
u
r
e



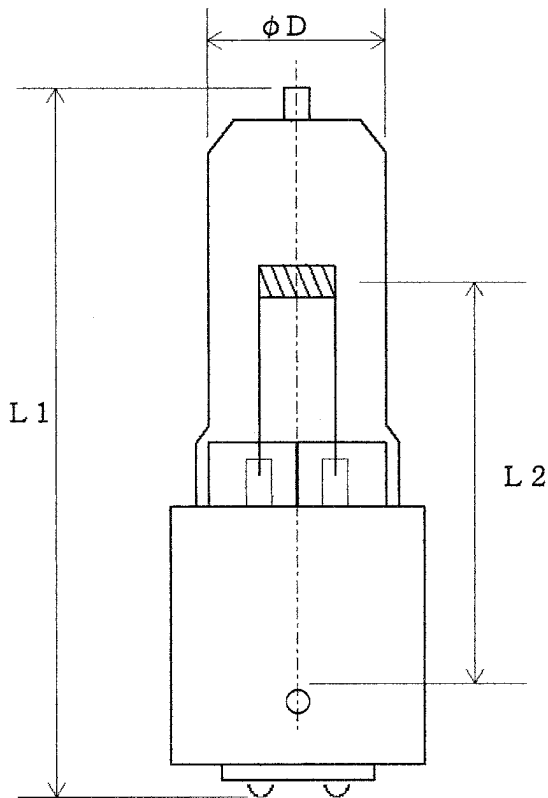
Note
Base:40W G6.35 50W GY6.35
Burning position:Any

Item	Type	40W	50W		
S I Z E	L1	MAX (mm)	44.0	44.0	
	L2	± 1.0 (mm)	30.0	30.0	
	ϕD	MAX (mm)	11.0	11.0	
L i f e C h a r a c	Average Life	(Hr)	1,000	1,000	
	Approx. Lumens	(lm)	800	1,000	
	Color TEMP	(K)	3,000	3,000	
	Wattage	(W)	40	50	
	Voltage	(V)	22.8	22.8	
	FILAMENT		CC-8	CC-8	

Products	Lamp	Type	APPROVE	CHECK	DESIGN
HALOGEN	JC22.8V	Kr CC-8			S.O

NO	Alteration	NAME
0	AUG. 2. '99 NEW	S. O
1		
2		

F
i
g
u
r
e



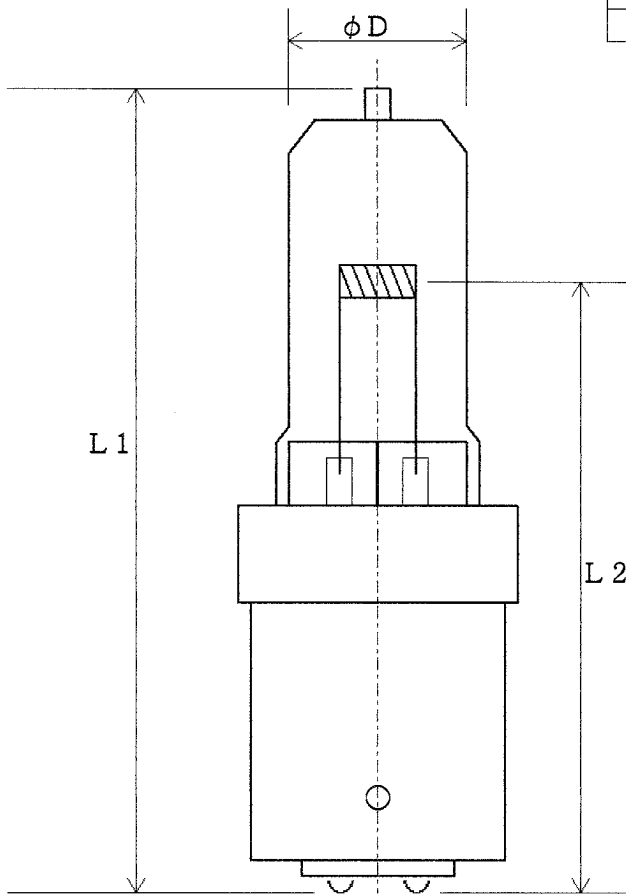
Note
Base:BA15d
Burning position:Any

Item		Type	40W	50W		
S I Z E	L1	MAX (mm)	56.0	56.0		
	L2	± 1.0 (mm)	32.0	32.0		
	ϕD	MAX (mm)	11.0	11.0		
L i f e C h a r a c	Average Life	(Hr)	1,000	1,000		
	Approx. Lumens	(lm)	800	1,000		
	Color TEMP	(K)	3,000	3,000		
	Wattage	(W)	40	50		
	Voltage	(V)	24	24		
	FILAMENT		CC-6	CC-6		

Products	Lamp	Type	APPROVE	CHECK	DESIGN
HALOGEN	JC24V Kr	BA15d BASE-1	<i>S.O</i>		S.O

NO	Alteration	NAME
0	AUG. 2. '99 NEW	S. O
1		
2		

F
i
g
u
r
e



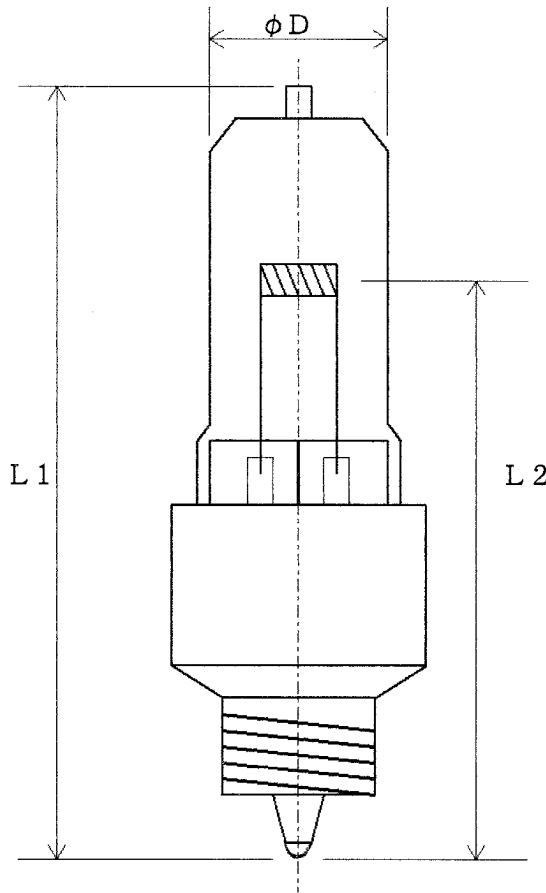
Note
Base: BA15d
Burning position: Any

Item		Type	40W	50W		
S I Z E	L1	MAX (mm)	61.0	61.0		
	L2	± 1.0 (mm)	41.0	41.0		
	ϕD	MAX (mm)	11.0	11.0		
L i f e C h a r a c	Average Life	(Hr)	1,000	1,000		
	Approx. Lumens	(lm)	800	1,000		
	Color TEMP	(K)	3,000	3,000		
	Wattage	(W)	40	50		
	Voltage	(V)	24	24		
	FILAMENT		CC-6	CC-6		

Products	Lamp Type	APPROVE	CHECK	DESIGN
HALOGEN	JC24V Kr BA15d BASE-2	<i>[Signature]</i>		S.O

NO	Alteration	NAME
0	AUG. 2. '99 NEW	S. O
1		
2		

F
i
g
u
r
e



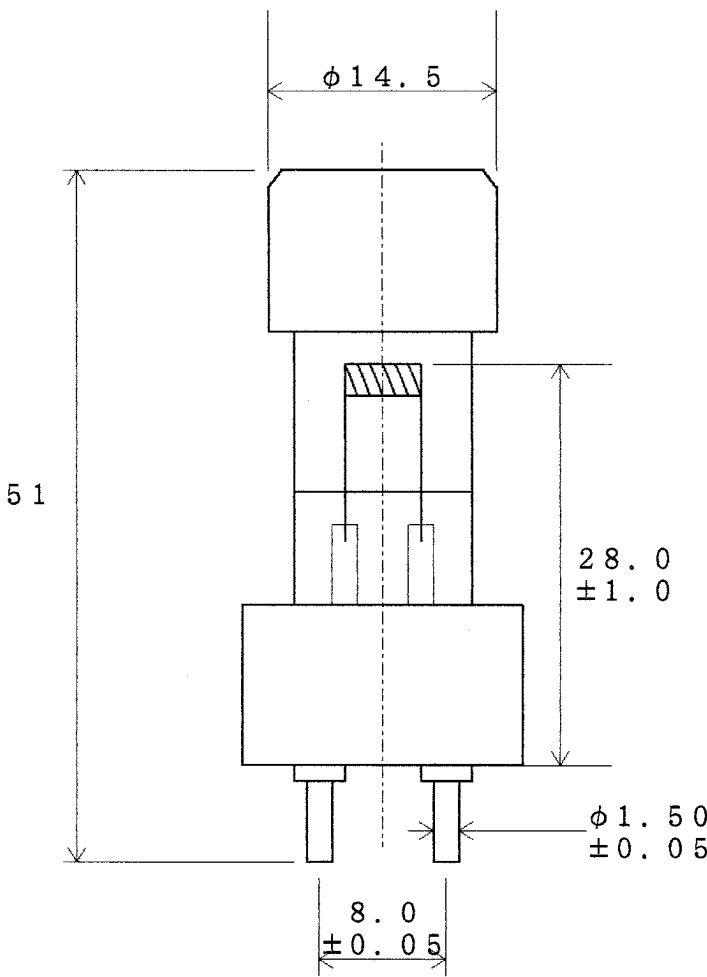
Note
 Base: ~~BA154~~
 Burning position: Any

Item	Type	40W	50W		
S I Z E	L 1	MAX (mm)	53.0	53.0	
	L 2	±1.0 (mm)	38.0	38.0	
	phi D	MAX (mm)	11.0	11.0	
L i f e C h a r a c	Average Life	(Hr)	1,000	1,000	
	Approx. Lumens	(lm)	800	1,000	
	Color TEMP	(K)	3,000	3,000	
	Wattage	(W)	40	50	
	Voltage	(V)	24	24	
	FILAMENT		CC-6	CC-6	

Products	Lamp	Type	APPROVE	CHECK	DESIGN
HALOGEN	JC24V Kr	E11 BASE	<i>[Signature]</i>		S. O

NO	Alteration	NAME
0	AUG. 2. '99 NEW	S. O
1		
2		

F
i
g
u
r
e

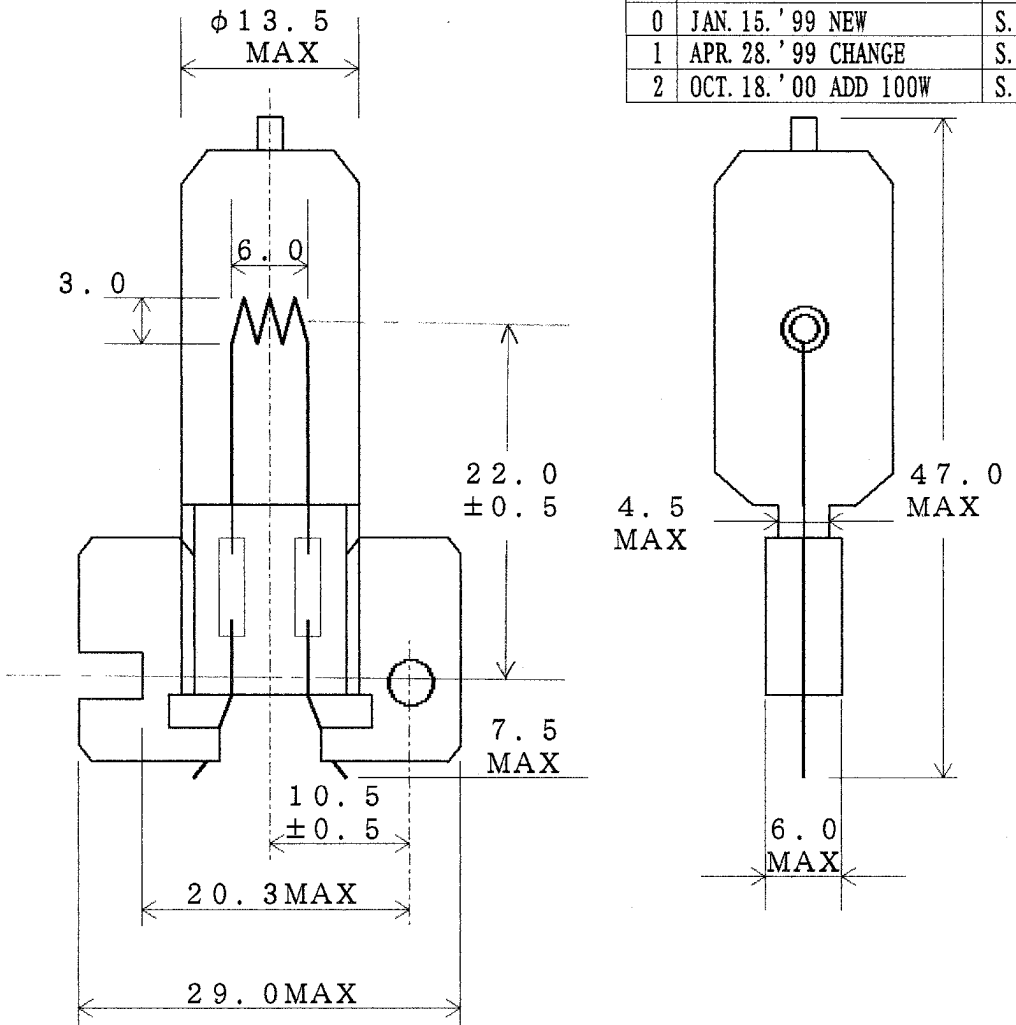


Note
Burning position: Any
BASE: G8

Item		Type	50W	100W		
L i f e C h a r a c	Average Life	(Hr)	500	500		
	Approx. Lumens	(lm)	1,000	2,200		
	Color TEMP	(K)	3,000	3,000		
	Wattage	(W)	50	100		
	VOLTAGE	(V)	24	24		
	FILAMENT		C-Bar-6	C-Bar-6		
Products	Lamp Type			APPROVE	CHECK	DESIGN
HALOGEN	JC24V CERAMIC CAP			<i>S. O</i>		S. O

NO	Alteration	NAME
0	JAN. 15. '99 NEW	S. O
1	APR. 28. '99 CHANGE	S. O
2	OCT. 18. '00 ADD 100W	S. O

F
i
g
u
r
e



Notes:

1. COIL:CC-6 BASE:X514
2. Total life time (cycled 12min ON, 3min OFF)
3. Operating limits: MAX BULB TEMP. 900° C, MIN BULB TEMP 250° C, MAX SEAL TEMP 400° C

ATTENTION:

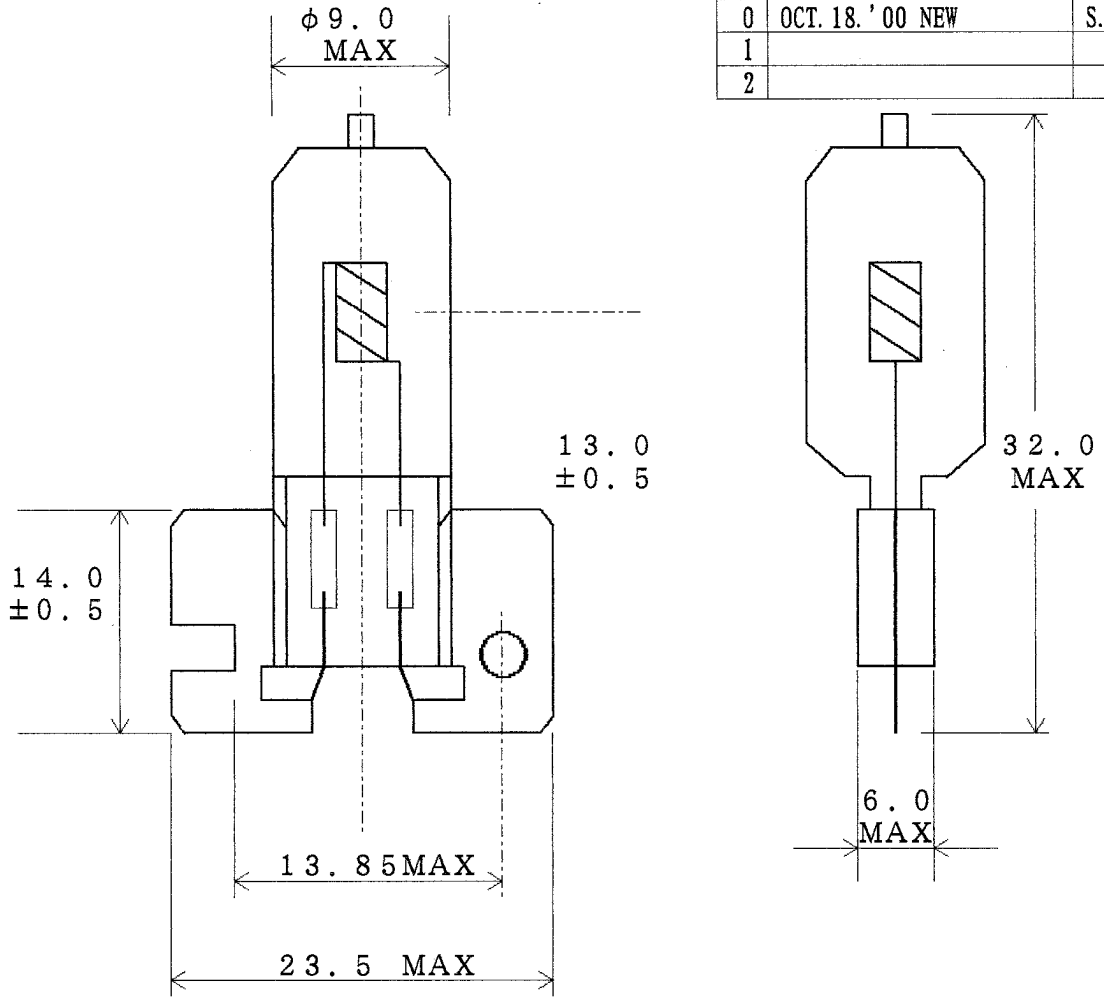
This lamp operates at higher than atmospheric pressure. Use it only in fixtures fitted with adequate glass cover or protective shield. Incorrect use of the lamp or with improper equipment is dangerous. Do not operate lamps in series.

Item		Type	100W	120W		
L i f e	Average Life	(Hr)	1,000	200		
	Approx. Lumens	(lm)	2,300	3,000		
	Color TEMP	(K)	3,100	3,200		
C h a r a c	Wattage	(W)	100	120		
	Voltage	(V)	24	24		
	Burning position		BD±90	BD±90		

Products	Lamp	Type	APPROVE	CHECK	DESIGN
HALOGEN	JC24V	X514 BASE	<i>[Signature]</i>		S. O

NO	Alteration	NAME
0	OCT. 18. '00 NEW	S. O
1		
2		

F
i
g
u
r
e



Notes:

- 1. COIL:C-8/CC-8
- 2. BASE:X511

3. Operating limits: MAX BULB TEMP. 900° C, MIN BULB TEMP 250° C, MAX SEAL TEMP 350° C

ATTENTION:

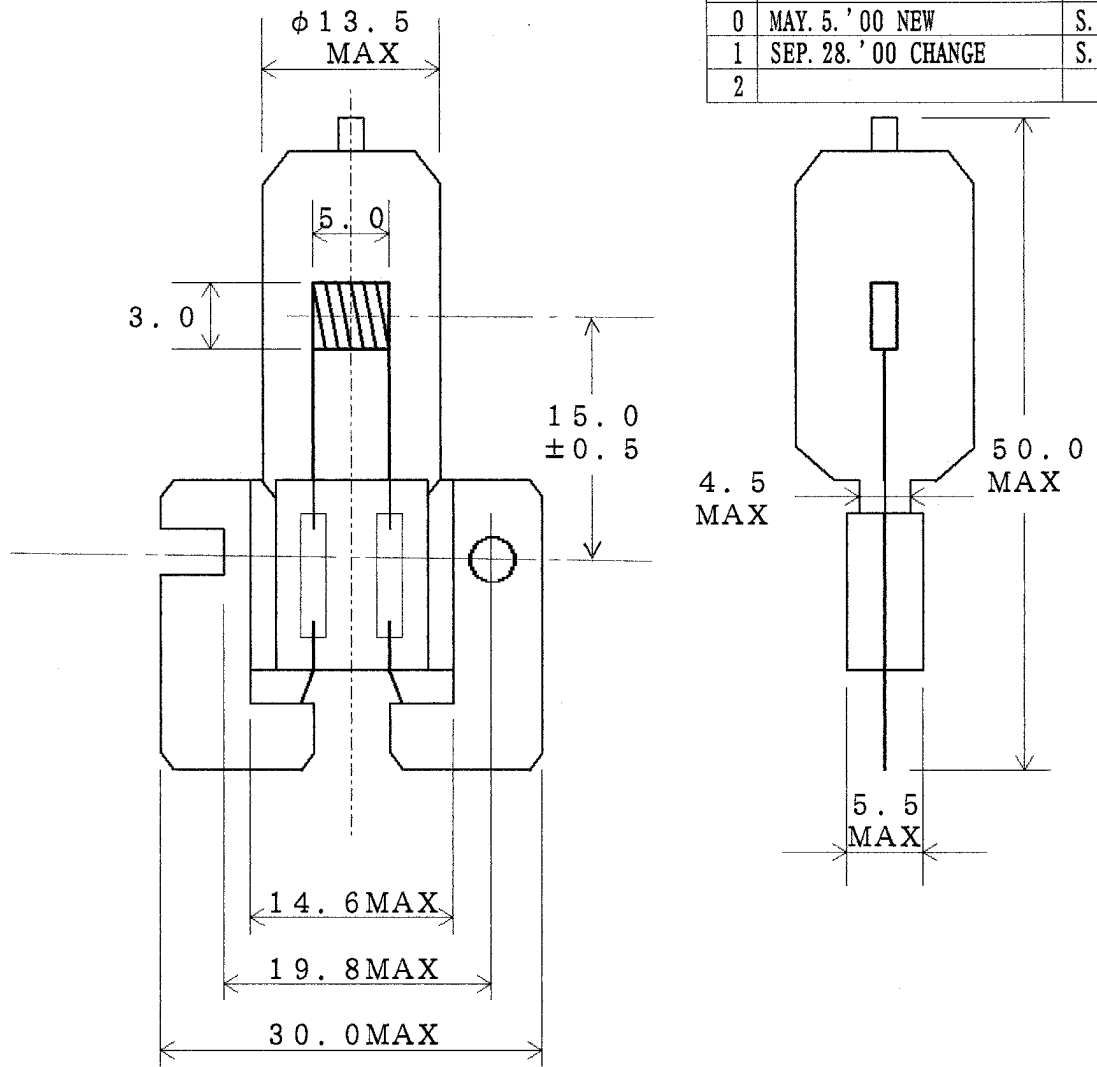
This lamp operates at higher than atmospheric pressure. Use it only in fixtures fitted with adequate glass cover or protective shield. Incorrect use of the lamp or with improper equipment is dangerous. Do not operate lamps in series.

Item		Type	70W	80W		
L i f e	Average Life	(Hr)	1,000	1,000		
	Approx. Lumens	(lm)	1,350	1,600		
	Color TEMP	(K)	3,000	3,000		
C h a r a c	Wattage	(W)	70	80		
	Voltage	(V)	24	24		
	Burning position		BD±90	BD±90		

Products	Lamp	Type	APPROVE	CHECK	DESIGN
HALOGEN	JC24V	X511 BASE			S.O

NO	Alteration	NAME
0	MAY. 5. '00 NEW	S. O
1	SEP. 28. '00 CHANGE	S. O
2		

F
i
g
u
r
e



Notes:

1. COIL:CF-6 BASE:X514SP
 2. Total life time (cycled 12min ON, 3min OFF)
 3. Operating limits: MAX BULB TEMP. 900° C, MIN BULB TEMP 250° C, MAX SEAL TEMP 400° C
- ATTENTION:**

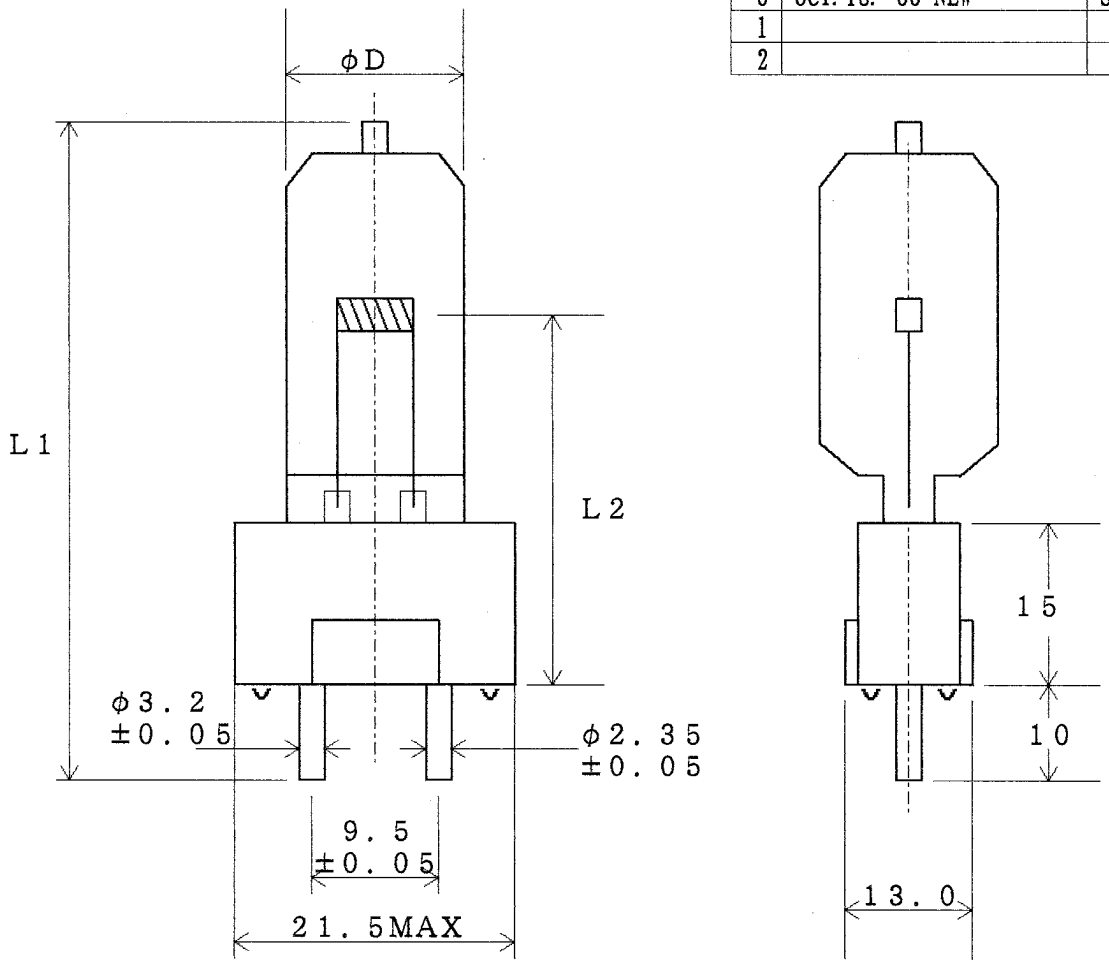
This lamp operates at higher than atmospheric pressure. Use it only in fixtures fitted with adequate glass cover or protective shield. Incorrect use of the lamp or with improper equipment is dangerous. Do not operate lamps in series.

Item	Type	A		
Life Characteristics	Average Life (Hr)	150		
	Approx. Lumens (lm)	2,600		
	Color TEMP (K)	3,200		
	Wattage (W)	100		
	Voltage (V)	23		
	Burning position		BD±90	

Products	Lamp Type	APPROVE	CHECK	DESIGN
HALOGEN	JC23V-100W X514SP	<i>[Signature]</i>		S.O

NO	Alteration	NAME
0	OCT. 18. '00 NEW	S. O
1		
2		

F
i
g
u
r
e



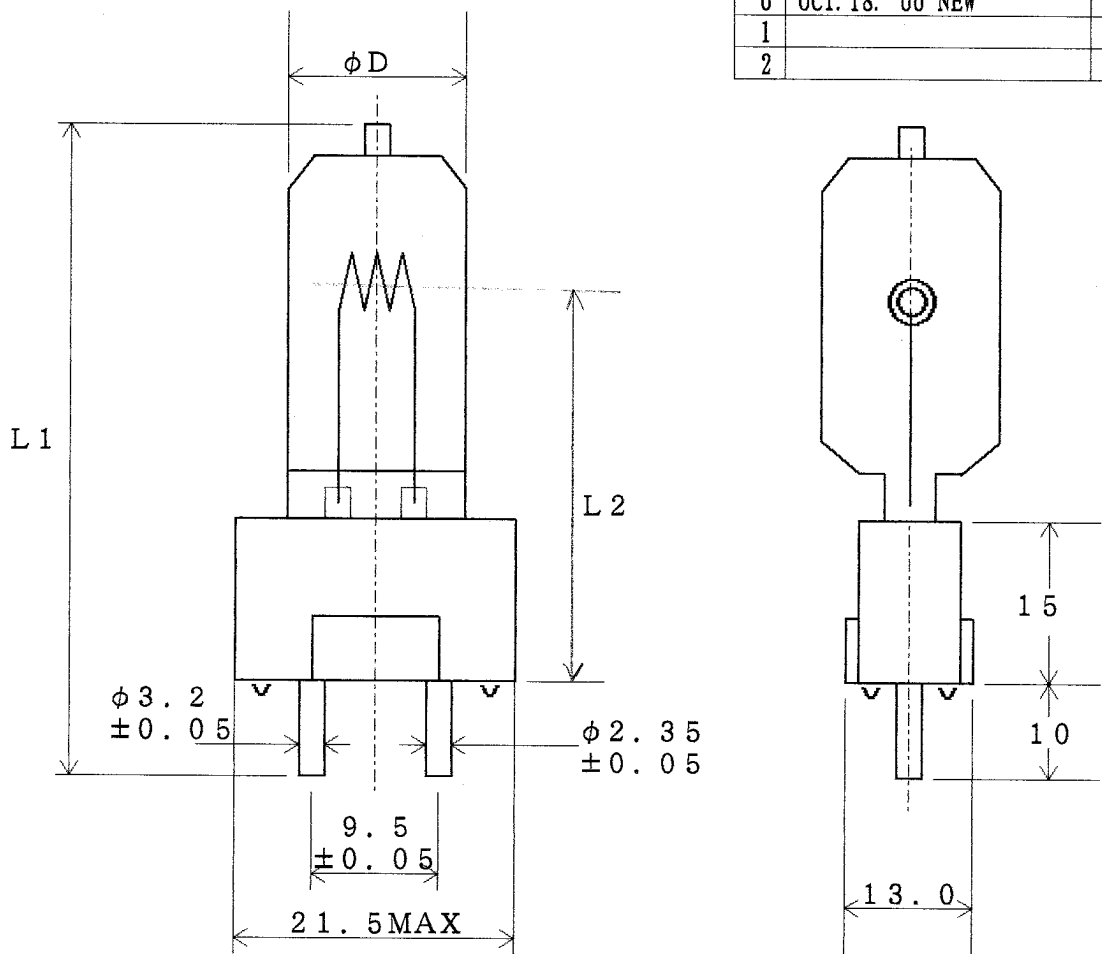
Note
Burning position: Any

Item	Type	100W	150W		
S I Z E	L1	MAX (mm)	58.0	65.0	
	L2	±0.5 (mm)	27.0	33.0	
	φD	MAX (mm)	13.5	13.5	
L i f e C h a r a c	Average Life	(Hr)	50	50	
	Approx. Lumens	(lm)	3,000	5,000	
	Color TEMP	(K)	3,300	3,300	
	Wattage	(W)	100	150	
	VOLTAGE	(V)	12	24	
	FILAMENT		C-Bar-6	C-Bar-6	

Products	Lamp	Type	APPROVE	CHECK	DESIGN
HALOGEN	JC12V, 24V	GY9.5 BASE	<i>[Signature]</i>		S.O

NO	Alteration	NAME
0	OCT. 18. '00 NEW	S. O
1		
2		

F
i
g
u
r
e



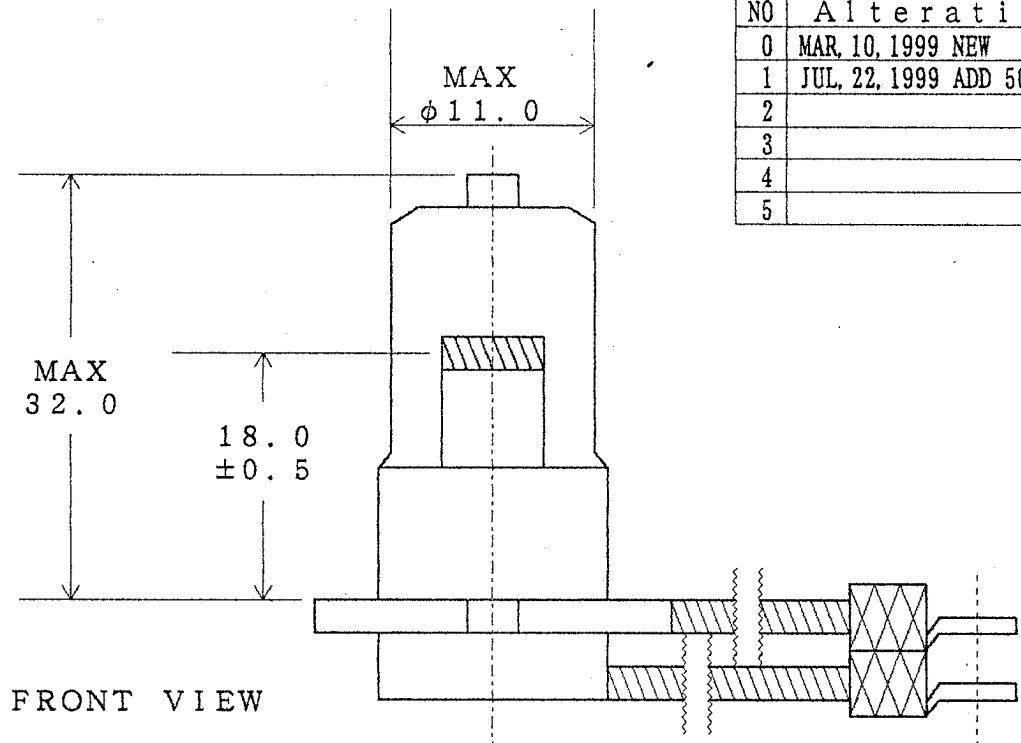
Note
Burning position: Any
BULB: FROSTED

Item		Type	220W	235W		
S I Z E	L1	MAX (mm)	70.0	70.0		
	L2	±0.5 (mm)	38.0	38.0		
	φD	MAX (mm)	13.5	13.5		
L i f e C h a r a c	Average Life	(Hr)	300	300		
	Approx. Lumens	(lm)	4,100	4,500		
	Color TEMP	(K)	3,000	3,000		
	Wattage	(W)	220	235		
	VOLTAGE	(V)	22	33		
	FILAMENT		CC-6	CC-6		

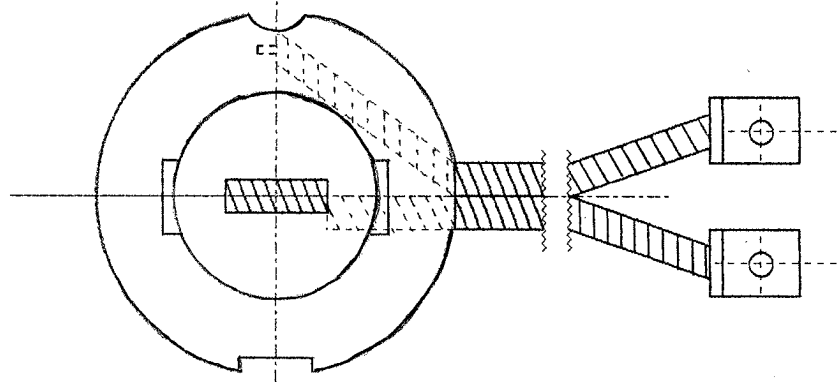
Products	Lamp	Type	APPROVE	CHECK	DESIGN
HALOGEN	JC22V, 33V	GY9.5 BASE	<i>[Signature]</i>		S. O

NO	Alteration	NAME
0	MAR, 10, 1999 NEW	S. O
1	JUL, 22, 1999 ADD 50W	S. O
2		
3		
4		
5		

F
i
g
u
r
e



FRONT VIEW

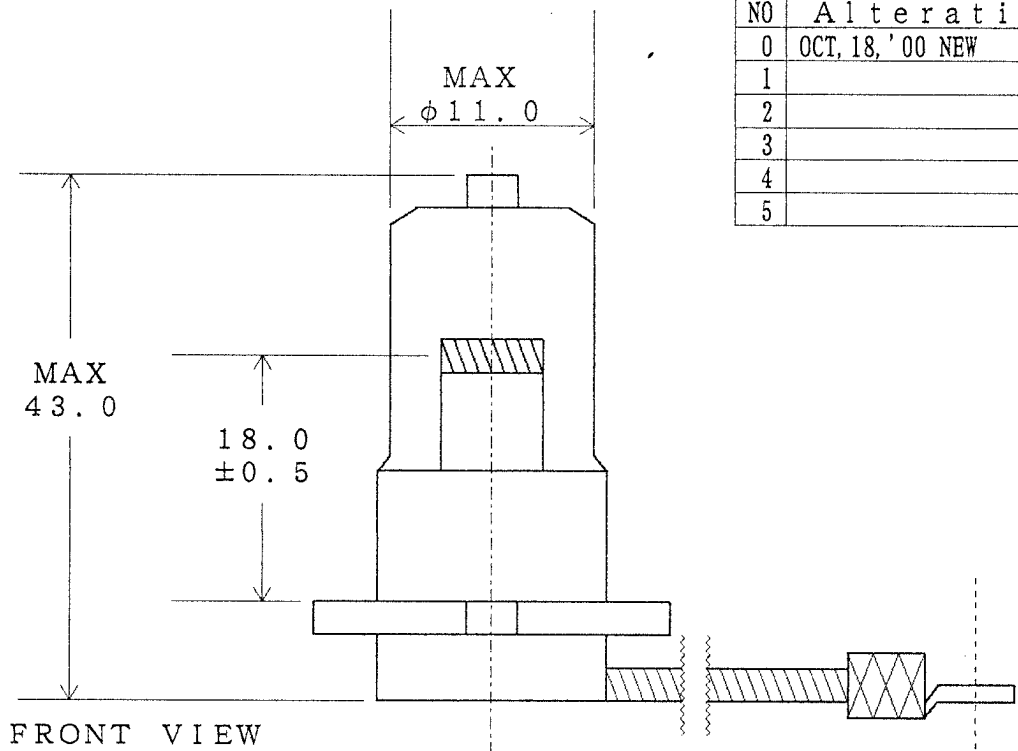


TOP VIEW

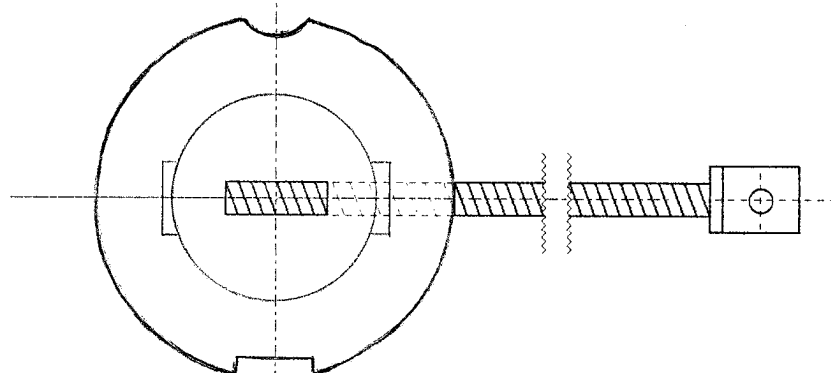
ITEM		TYPE	35W	50W			
L i f e . C h a r a c	Voltage	(V)	10	10			
	Wattage	(W)	35	50			
	Approx. Initial Lumens	(lm)	525	820			
	Rated Average Life	(Hr)	6,000	6,000			
	Base		PKX22S	PKX22S			
Products		Lamp Type			APPROVE	CHECK	DESIGN
HALOGEN LAMP		JC10V PKX22S BASE△			<i>S. O</i>		S. O

NO	Alteration	NAME
0	OCT, 18, '00 NEW	S. O
1		
2		
3		
4		
5		

F
i
g
u
r
e



FRONT VIEW



TOP VIEW

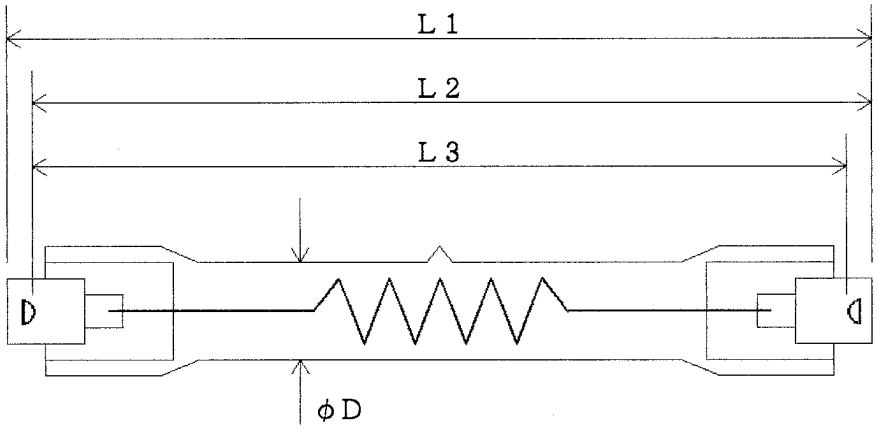
Note
Base: PKX22S

ITEM	TYPE	12V-55W	24V-65W	24V-70W	24V-100W
		L i f e . C h a r a c	Voltage (V)	12	24
	Wattage (W)	55	65	70	100
	Approx. Initial Lumens (lm)	1,200	1,300	1,350	2,000
	Rated Average Life (Hr)	1,000	1,000	1,000	1,000
	FILAMENT	CC-6	CC-6	CC-6	CC-6

Products	Lamp Type	APPROVE	CHECK	DESIGN
HALOGEN	JC12V, 24V PKX22S BASE	<i>[Signature]</i>		S.O

F
i
g
u
r
e

NO	Alteration	NAME
0	AUG. 2. 99' NEW	S. O
1		
2		
3		
4		
5		



NOTE
FILAMENT: CC-8

Item		Type	75W	100W	200W
M e a s u r e	L 1	MAX (mm)	64.0	64.0	64.0
	L 2	± 1.6 (mm)	60.6	60.6	60.6
	L 3	± 1.6 (mm)	59.2	59.2	59.2
	ϕD	MAX (mm)	11.0	11.0	11.0
L i f e C h a r a c	Average Life	(Hr)	750	1,000	1,000
	Approx. Lumens	(lm)	1,500	2,100	4,200
	Approx. Color Temp	(K)	3,000	3,000	3,000
	Wattage	(W)	75	100	200
	Current	(A)	—	6.6	6.6
	Voltage	(V)	22.8	—	—
Burning position			HORIZ	HORIZ	HORIZ

Products	Lamp	Type	APPROVE	CHECK	DESIGN
HALOGEN	J TYPE	R7s BASE	<i>[Signature]</i>		S. O