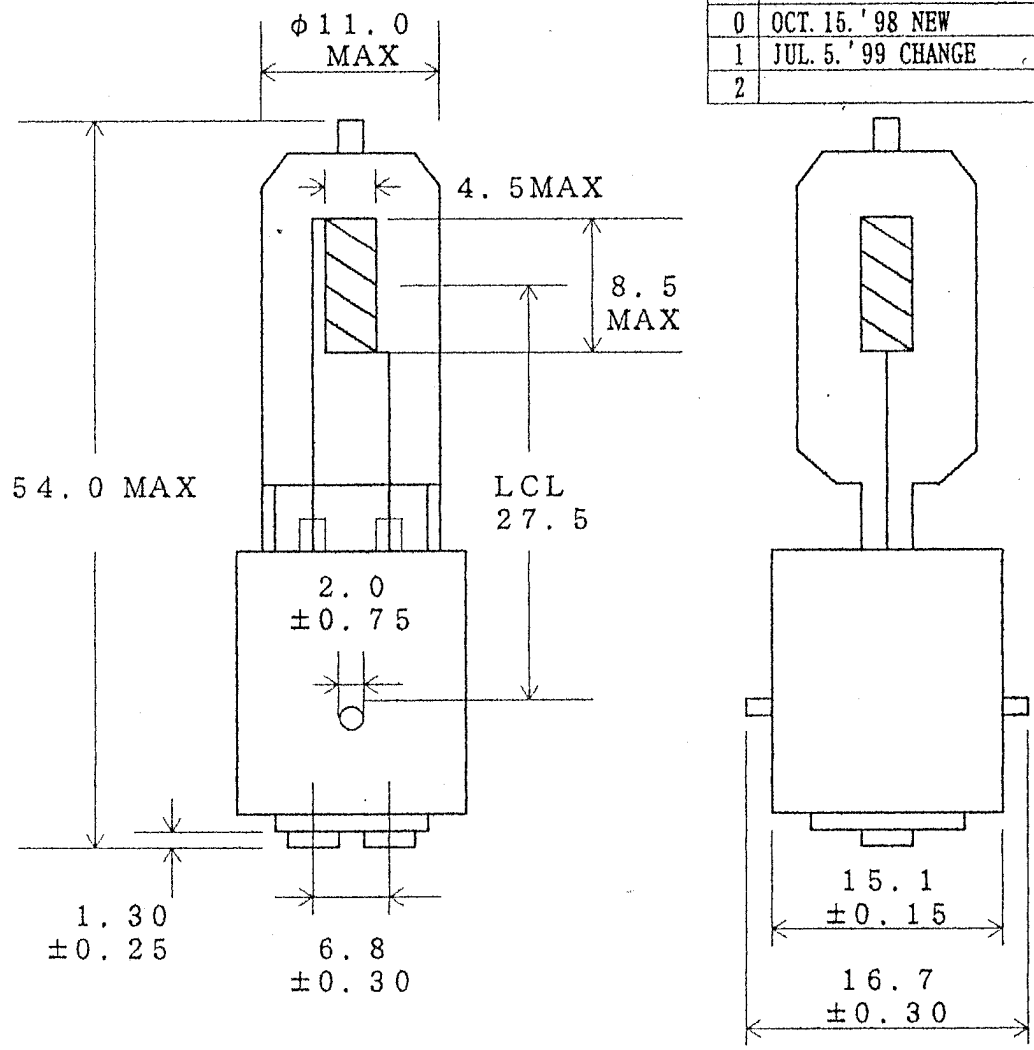


NO	Alteration	NAME
0	OCT. 15. '98 NEW	S. 0
1	JUL. 5. '99 CHANGE	S. 0
2		



Notes:

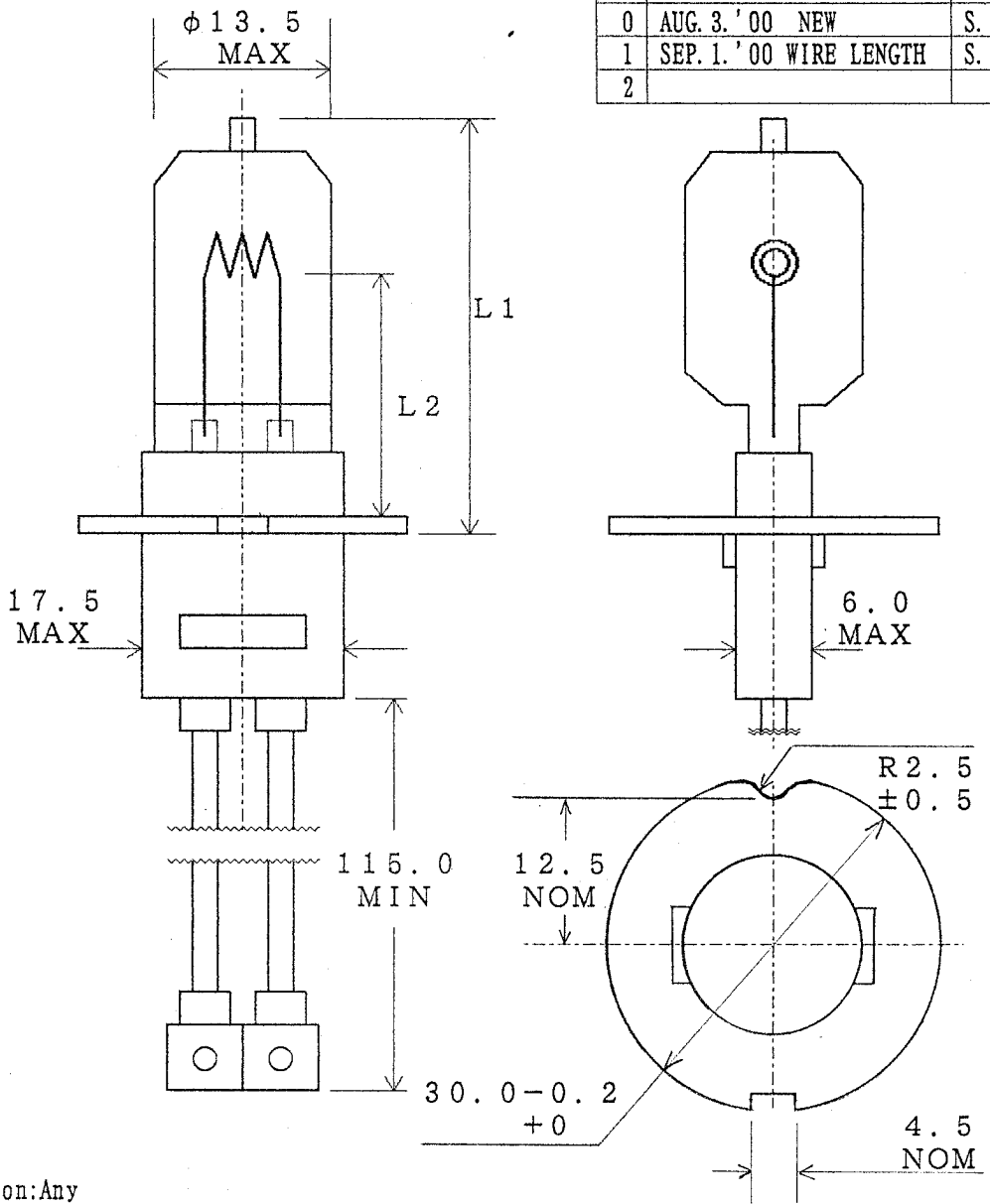
- Filament must be entirely within a box 4.50W×8.50H×4.50T located on the center line of the lamp at the light-center shown.
- Total life time (cycled 1/2 sec ON, 1/2 sec OFF)
- Cement must be non-porous and even with top of base $\pm 2\text{mm}$
- Entire contact eyelet must be covered with solder.
- ~~Cracks/chips permitted in base insulator up to 0.5mm deep.~~
- COIL:C-8 BASE:BA15d
- Operating limits: MAX BULB TEMP. 900° C, MIN BULB TEMP 250° C, MAX SEAL TEMP 350° C

Item	Type	A			
Life Characteristics	Average Life	(Hr)	750		
	Approx. Lumens	(lm)	2,400		
	Color TEMP	(K)	3,000		
	Wattage	(W)	125		
	Voltage	(V)	12		
	Burning position		ANY		

Products	Lamp	Type	APPROVE	CHECK	DESIGN
HALOGEN	JC12V-125W	BA15dA	<i>[Signature]</i>		S.0

NO	Alteration	NAME
0	AUG. 3. '00 NEW	S. O
1	SEP. 1. '00 WIRE LENGTH	S. O
2		

F
i
g
u
r
e



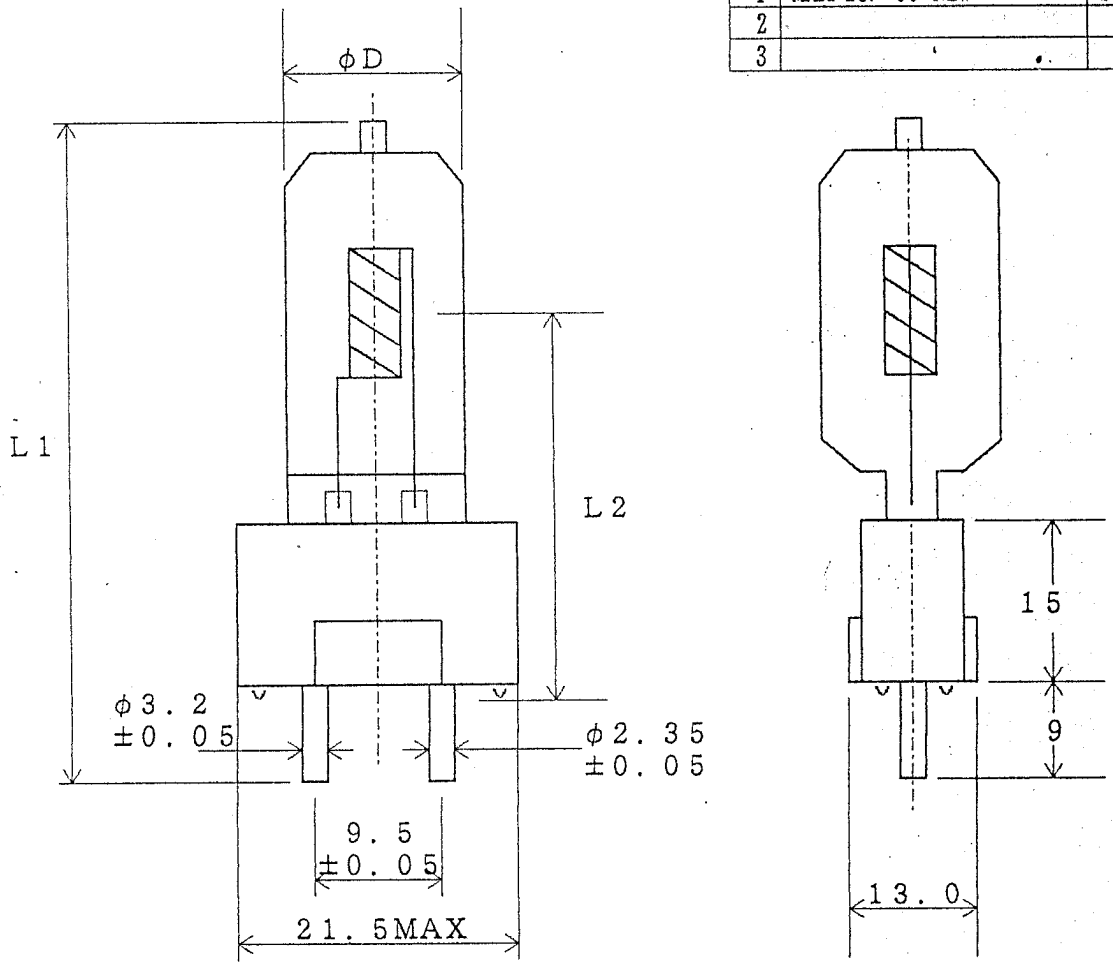
Note
Burning position: Any

Item	Type	45W	100W	150W	200W
DIM	L1 MAX (mm)	37.0	43.0	43.0	43.0
	L2 ±0.5 (mm)	16.0	20.0	20.0	20.0
Life	Average Life (Hr)	1,000	1,000	1,000	1,000
	Approx. Lumens (lm)	800	2,200	3,600	4,800
	Color TEMP (K)	3,000	3,100	3,100	3,100
Characteristics	Wattage (W)	45	100	150	200
	CURRENT (A)	6.6	6.6	6.6	6.6
	FILAMENT	C-8	C-6/CBar-6	CC-6/CBar-6	CC-6

Products	Lamp Type	APPROVE	CHECK	DESIGN
HALOGEN	JF6.6A PK30d BASE	<i>[Signature]</i>		S.O

NO	Alteration	NAME
1	MAR. 25. '99 NEW	S. O
2		
3		

F
i
g
u
r
e



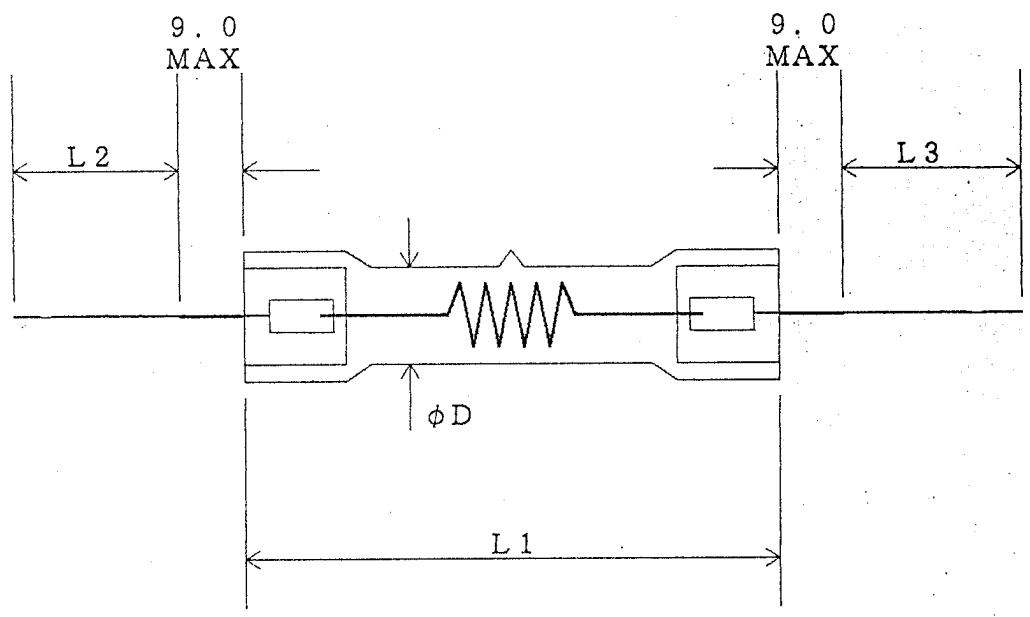
Note
Burning position: Any

Item	Type	45W	150W	200W	
S I Z E	L1	MAX (mm)	44.0	65.0	65.0
	L2	±0.5 (mm)	22.5	39.0	39.0
	φD	MAX (mm)	11.0	13.5	13.5
L i f e C h a r a c	Average Life	(Hr)	1,000	500	500
	Approx. Lumens	(lm)	750	3,600	4,300
	Color TEMP	(K)	2,900	3,100	3,000
	Wattage	(W)	45	150	200
	CURRENT	(A)	6.6	6.6	6.6
	FILAMENT		C-8	C-Bar-6	CC-6

Products	Lamp	Type	APPROVE	CHECK	DESIGN
HALOGEN	JF6.6A	GY9.5 BASE			S.O

NO.	Alteration	NAME.
0	MAR. 25. 99'NEW	S. O
1		
2		
3		
4		
5		

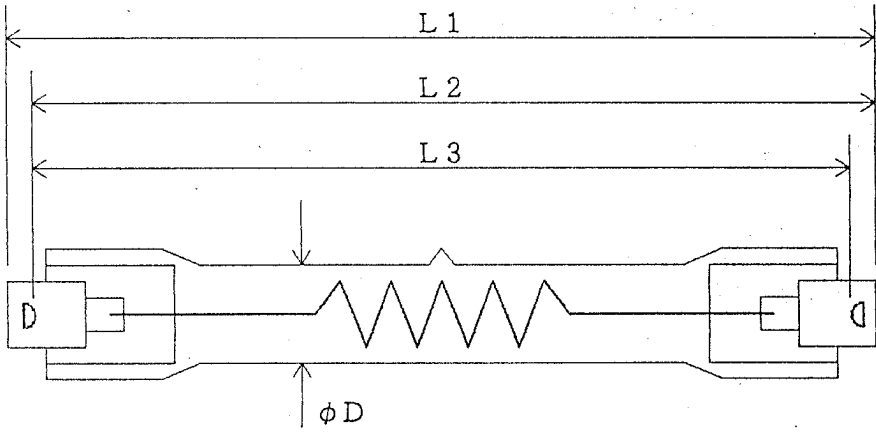
F
i
g
u
r
e



Item		Type	100W	200W		
M e a s u r e	L1	±1.0 (mm)	49.0	49.0		
	L2	±5.0 (mm)	50.0	50.0		
	L3	±5.0 (mm)	50.0	50.0		
	φD	MAX (mm)	11.0	11.0		
L i f e C h a r a c	Average Life	(Hr)	1,000	1,000		
	Approx. Lumens	(lm)	2,120	4,240		
	Approx. Color Temp	(K)	3,000	3,000		
	Wattage	(W)	100	200		
	Current	(A)	6.6	6.6		
	FILAMENT		CC-8	CC-8		
	Burning position		HORIZ	HORIZ		

Products	Lamp	Type	APPROVE	CHECK	DESIGN
HALOGEN	JF6.6A	WIRE LEAD			S.O

NO	Alteration	NAME
0	MAR. 25. 99'NEW	S. 0
1		
2		
3		
4		
5		



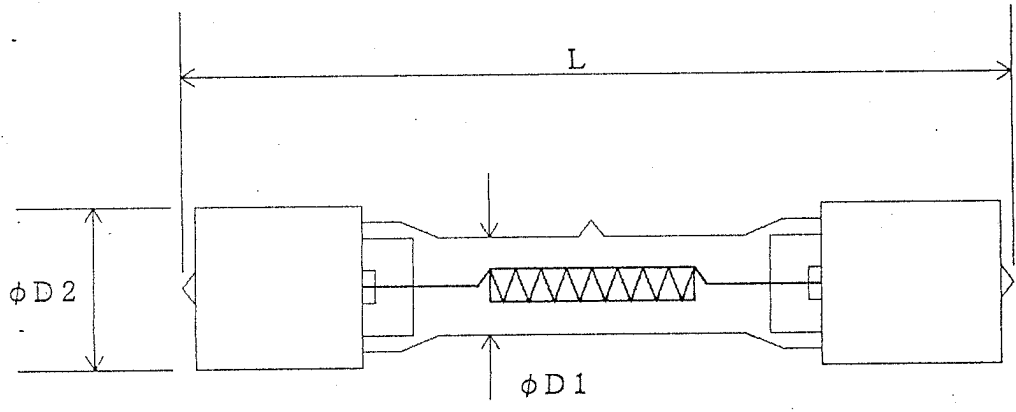
F
i
g
u
r
e

Item	Type	45W	100W	200W	
M e a s u r e	L1	±1.6 (mm)	50.4	62.0	62.0
	L2	±1.6 (mm)	49.0	60.6	60.6
	L3	±1.6 (mm)	47.6	59.2	59.2
	φD	MAX (mm)	9.0	11.0	11.0
L i f e	Average Life	(Hr)	1,000	1,000	1,000
	Approx. Lumens	(lm)	630	2,120	4,240
	Approx. Color Temp	(K)	2,850	3,000	3,000
C h a r a c	Wattage	(W)	45	100	200
	Current	(A)	6.6	6.6	6.6
	FILAMENT		C-8	CC-8	CC-8
	Burning position		HORIZ	HORIZ	HORIZ

Products	Lamp	Type	APPROVE	CHECK	DESIGN
HALOGEN	JF6.6A	R7s BASE			S.0

NO	Alteration	NAME
0	AUG. 20. 97' NEW	S. O
1		
2		
3		
4		
5		

F
i
g
u
r
e

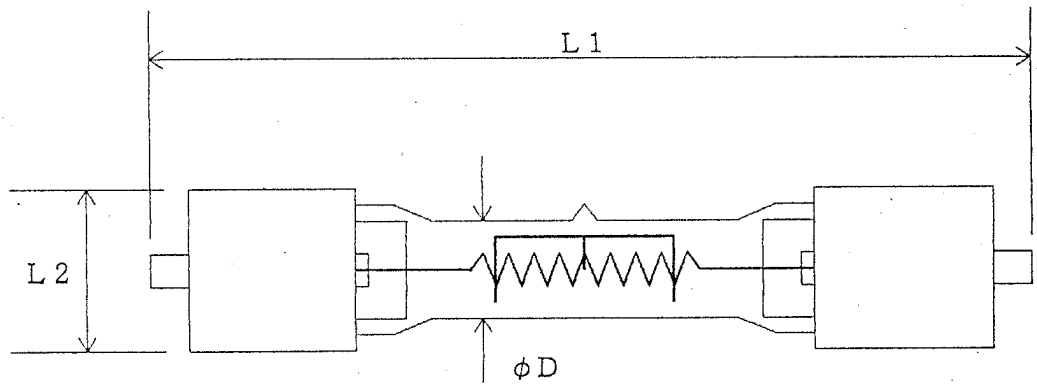


Item	Type	1978X		
M e a s u r e	L MAX (mm)	54.6		
	φD1 MAX (mm)	9.0		
	φD2 MAX (mm)	12.0		
L i f e C h a r a c	Average Life (Hr)	1,000		
	Approx. Lumens (lm)	1,633		
	Approx. Color Temp (K)	2,850		
	Wattage (W)	100		
	Voltage (V)	10		
	FILAMENT	C-8		
	Burning position	HORIZ		

Products	Lamp	Type	APPROVE	CHECK	DESIGN
HALOGEN	J10V-100W	METAL BASE			S.O

NO	Alteration	NAME
0	APR. 27. 98' NEW	S.O
1		
2		
3		
4		
5		

F
i
g
u
r
e

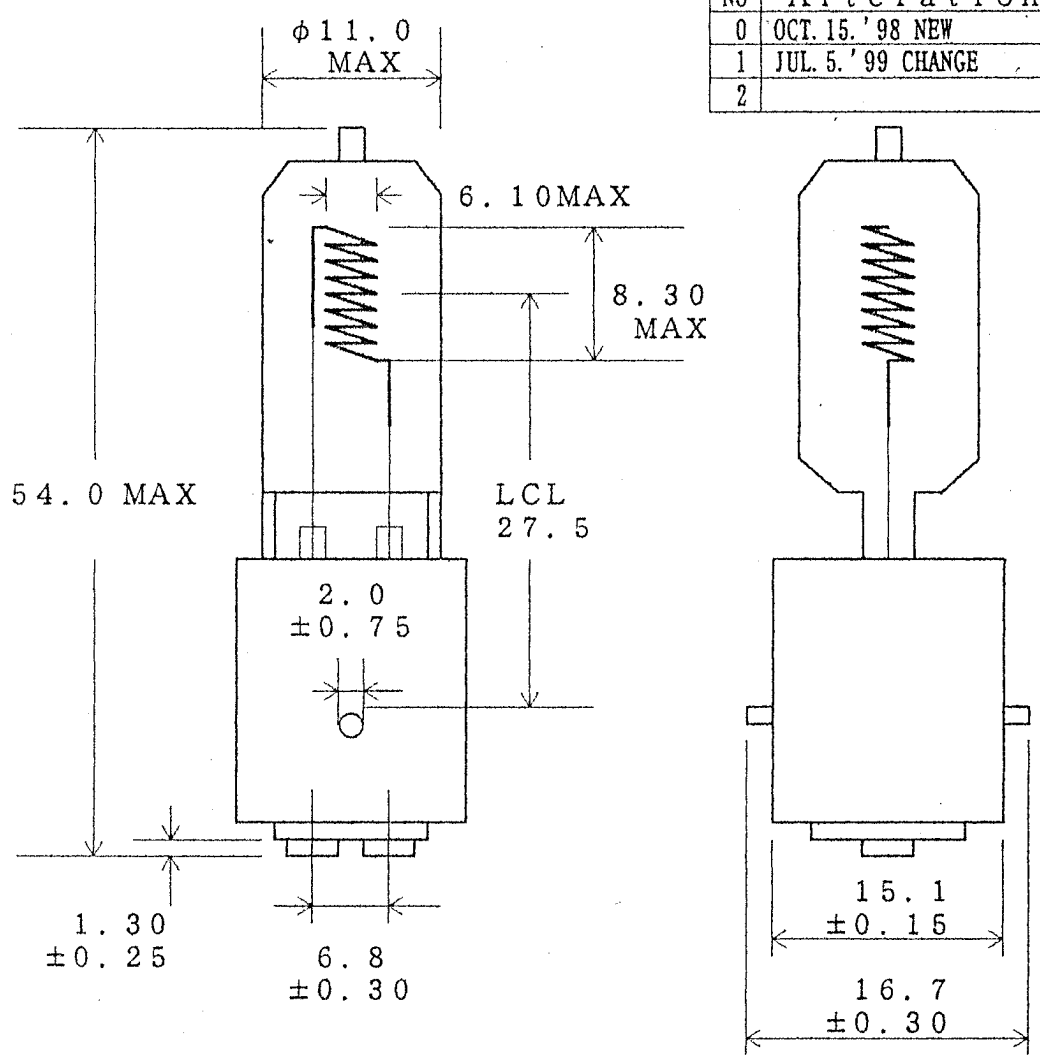


Item	Type	1970X	1967		
M e a s u r e	L1 MAX (mm)	57.1	57.1		
	L2 MAX (mm)	12.0	12.0		
	ϕD MAX (mm)	9.0	9.0		
L i f e C h a r a c	Average Life (Hr)	2,000	1,000		
	Approx. Lumens (lm)	1,260	2,600		
	Approx. Color Temp (K)	2,750	2,850		
	Wattage (W)	100	150		
	Voltage (V)	28	28		
	FILAMENT	CC-8	CC-8		
	Burning position	HORIZ	HORIZ		

Products	Lamp	Type	APPROVE	CHECK	DESIGN
HALOGEN	J28V	METAL BASE			S.O

NO	Alteration	NAME
0	OCT. 15. '98 NEW	S. O
1	JUL. 5. '99 CHANGE	S. O
2		

F
i
g
u
r
e



Notes:

1. Filament must be entirely within a box 6.10W×8.30H×6.10T located on the center line of the lamp at the light-center shown.
2. Total life time (cycled 1/2 sec ON, 1/2 sec OFF)
3. Cement must be non-porous and even with top of base ±2mm
4. Entire contact eyelet must be covered with solder.
5. ~~Cracks/chips permitted in base insulator up to 0.5mm deep.~~
6. COIL:CC-8 BASE:BA15d
7. Operating limits: MAX BULB TEMP. 900° C, MIN BULB TEMP 250° C, MAX SEAL TEMP 350° C

Item	Type	A			
L i f e C h a r a c	Average Life	(Hr)	750		
	Approx. Lumens	(lm)	3,300		
	Color TEMP	(K)	3,150		
	Wattage	(W)	150		
	Voltage	(V)	28		
	Burning position		ANY		

Products	Lamp	Type	APPROVE	CHECK	DESIGN
HALOGEN	JC28V-150W	BA15dA	<i>S. O</i>		S. O