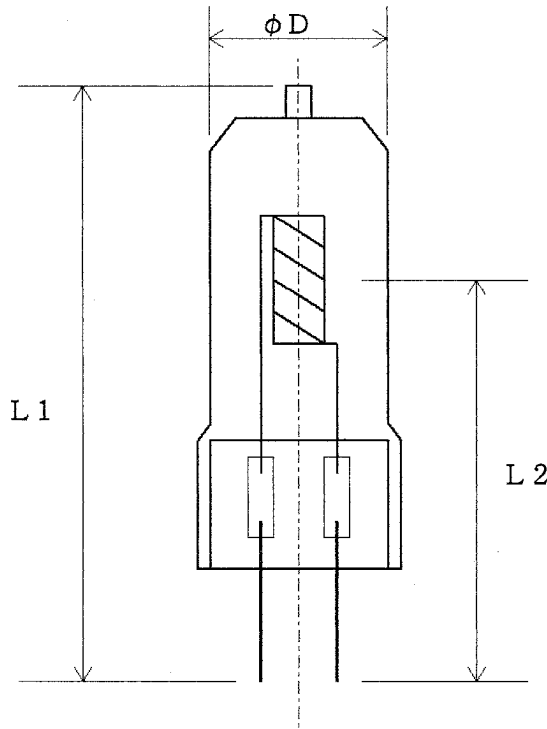


NO	Alteration	NAME
0	MAY. 20. '99 NEW	S. O
1		
2		

F  
i  
g  
u  
r  
e



Note  
Base:G6.35  
Burning position:Any

Item		Type	100W	200W	400W
S I Z E	L1	MAX (mm)	50.0	50.0	60.0
	L2	$\pm 1.0$ (mm)	30.0	30.0	35.0
	$\phi D$	MAX (mm)	13.5	13.5	19.0
L i f e  C h a r a c	Average Life	(Hr)	50	50	50
	Approx. Lumens	(lm)	2,300	5,000	14,500
	Color TEMP	(K)	3,100	3,200	3,450
	Wattage	(W)	100	200	400
	Voltage	(V)	6	12	24
	FILAMENT		C-8	C-8	C-Bar-6

Products	Lamp	Type	APPROVE	CHECK	DESIGN
HALOGEN	JC SHORT LIFE G6.35 BASE		<i>[Signature]</i>		S.O