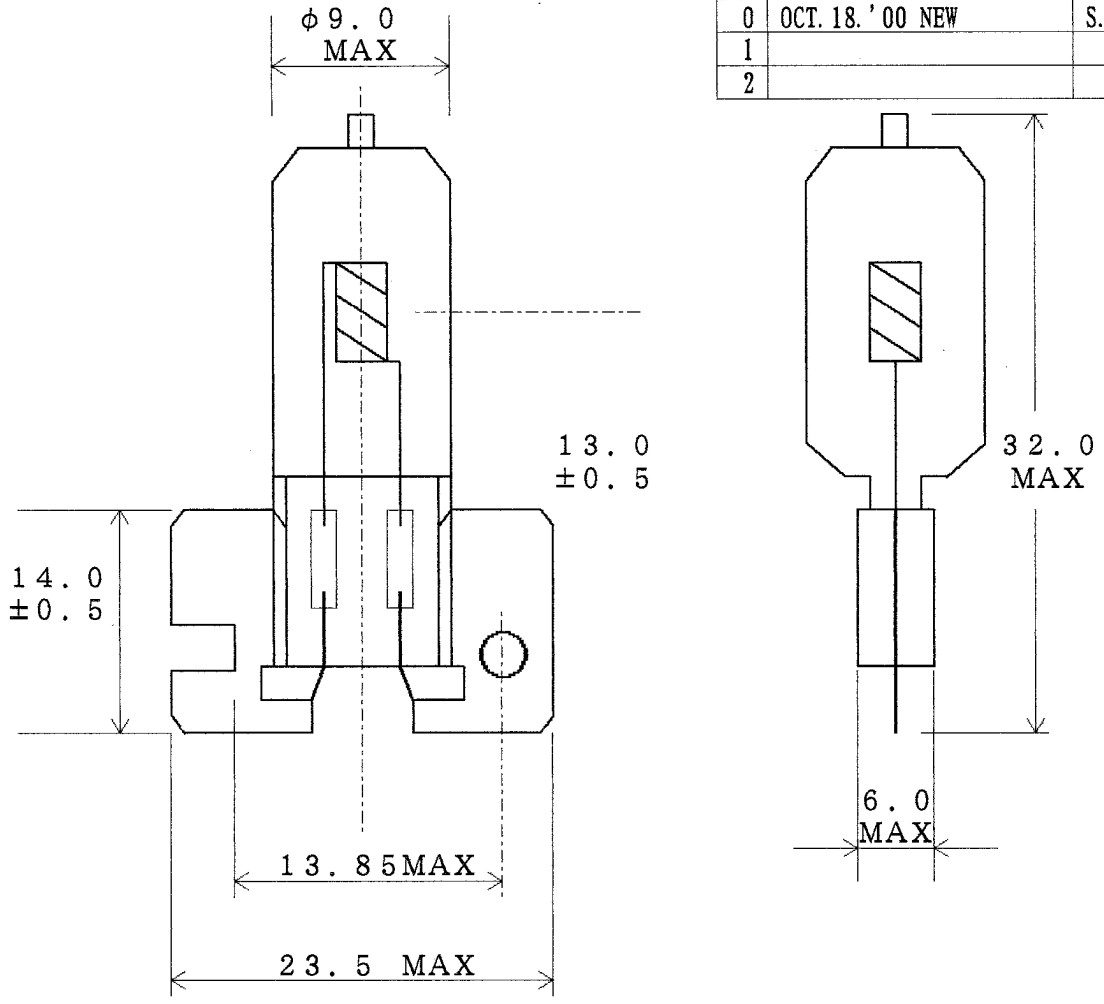


NO	Alteration	NAME
0	OCT. 18. '00 NEW	S. O
1		
2		

F  
i  
g  
u  
r  
e



Notes:

- 1. COIL:C-8/CC-8
- 2. BASE:X511

3. Operating limits: MAX BULB TEMP. 900° C, MIN BULB TEMP 250° C, MAX SEAL TEMP 350° C  
ATTENTION:

This lamp operates at higher than atmospheric pressure. Use it only in fixtures fitted with adequate glass cover or protective shield. Incorrect use of the lamp or with improper equipment is dangerous. Do not operate lamps in series.

Item		Type	70W	80W		
L i f e	Average Life	(Hr)	1,000	1,000		
	Approx. Lumens	(lm)	1,350	1,600		
	Color TEMP	(K)	3,000	3,000		
C h a r a c	Wattage	(W)	70	80		
	Voltage	(V)	24	24		
	Burning position		BD±90	BD±90		

Products	Lamp	Type	APPROVE	CHECK	DESIGN
HALOGEN	JC24V	X511 BASE			S.O