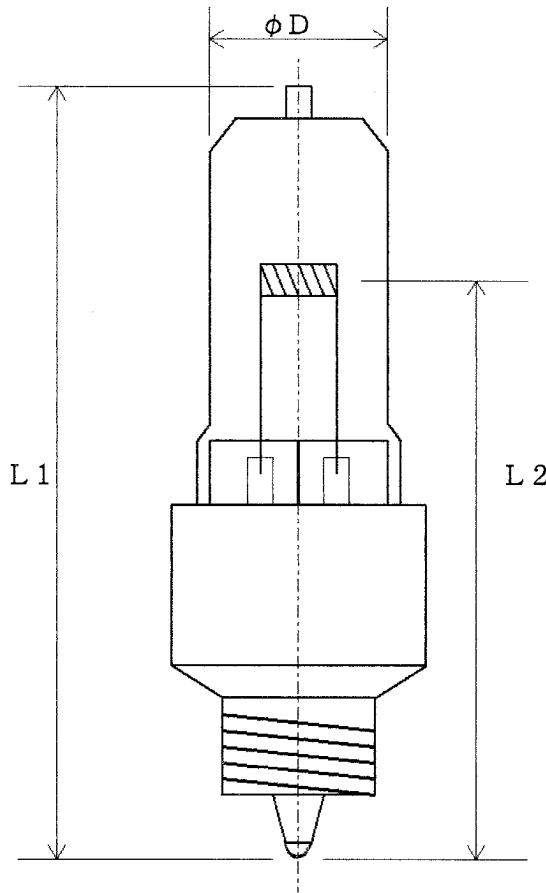


| NO | Alteration | NAME |
|----|-----------------|------|
| 0 | AUG. 2. '99 NEW | S. O |
| 1 | | |
| 2 | | |

F
i
g
u
r
e



Note
Base: ~~BA154~~
Burning position: Any

| Item | Type | 40W | 50W | | |
|--|----------------|-----------|-------|-------|--|
| S I Z E | L 1 | MAX (mm) | 53.0 | 53.0 | |
| | L 2 | ±1.0 (mm) | 38.0 | 38.0 | |
| | phi D | MAX (mm) | 11.0 | 11.0 | |
| L i f e C h a r a c | Average Life | (Hr) | 1,000 | 1,000 | |
| | Approx. Lumens | (lm) | 800 | 1,000 | |
| | Color TEMP | (K) | 3,000 | 3,000 | |
| | Wattage | (W) | 40 | 50 | |
| | Voltage | (V) | 24 | 24 | |
| | FILAMENT | | CC-6 | CC-6 | |

| Products | Lamp | Type | APPROVE | CHECK | DESIGN |
|----------|----------|----------|-------------|-------|--------|
| HALOGEN | JC24V Kr | E11 BASE | <i>S.M.</i> | | S. O |