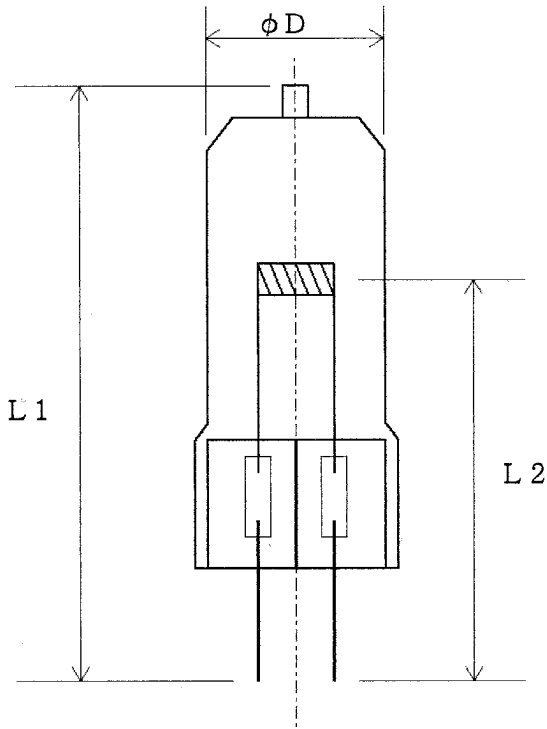


NO	Alteration	NAME
0	AUG. 2. '99 NEW	S. O
1		
2		

F
i
g
u
r
e



Note
Base:G6.35
Burning position:Any

Item	Type	40W	50W		
S I Z E	L1	MAX (mm)	44.0	44.0	
	L2	± 1.0 (mm)	30.0	30.0	
	ϕD	MAX (mm)	11.0	11.0	
L i f e C h a r a c	Average Life	(Hr)	1,000	1,000	
	Approx. Lumens	(lm)	800	1,000	
	Color TEMP	(K)	3,000	3,000	
	Wattage	(W)	40	50	
	Voltage	(V)	22.8	22.8	
	FILAMENT		CC-6	CC-6	
Products	Lamp	Type	APPROVE	CHECK	DESIGN
HALOGEN	JC22.8V Kr	CC-6	<i>[Signature]</i>		S. O