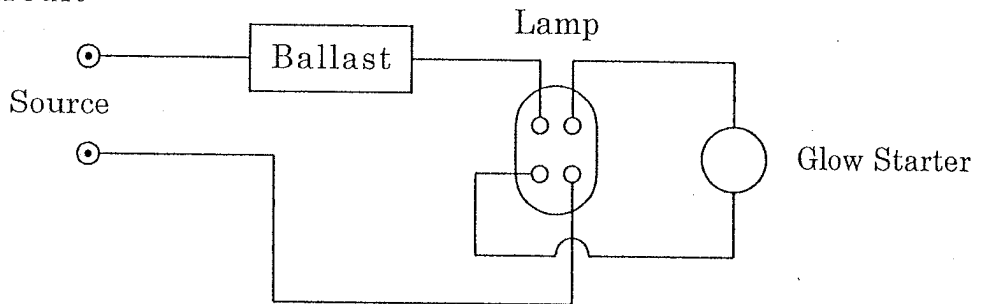


1. Lamp Wattage 27.0 W
2. Lamp Current 0.610 ± 0.050 A
3. Dimensions (A) Max. 46 mm
4. Dimensions (B) Max. 21 mm
5. Dimensions (C) Max. 265 mm
6. Base GY10q-4
7. Spectral Peak 368 nm
8. UV output 3.8 W
9. Average Life 4,000 hours
10. Ballast F30T10
11. Glow Starter FG-1P (JIS)
12. Circuit



				TITLE Black Light Blue Lamp FPL27BLB	
				DWG NO. LB4082	
SCALE : free, DIM. : mm		MANAGER	CHK	DRAWN	
		Y. Sato		Tamura	
DATE	1999- 2-18			SANKYO DENKI Co.,Ltd.	