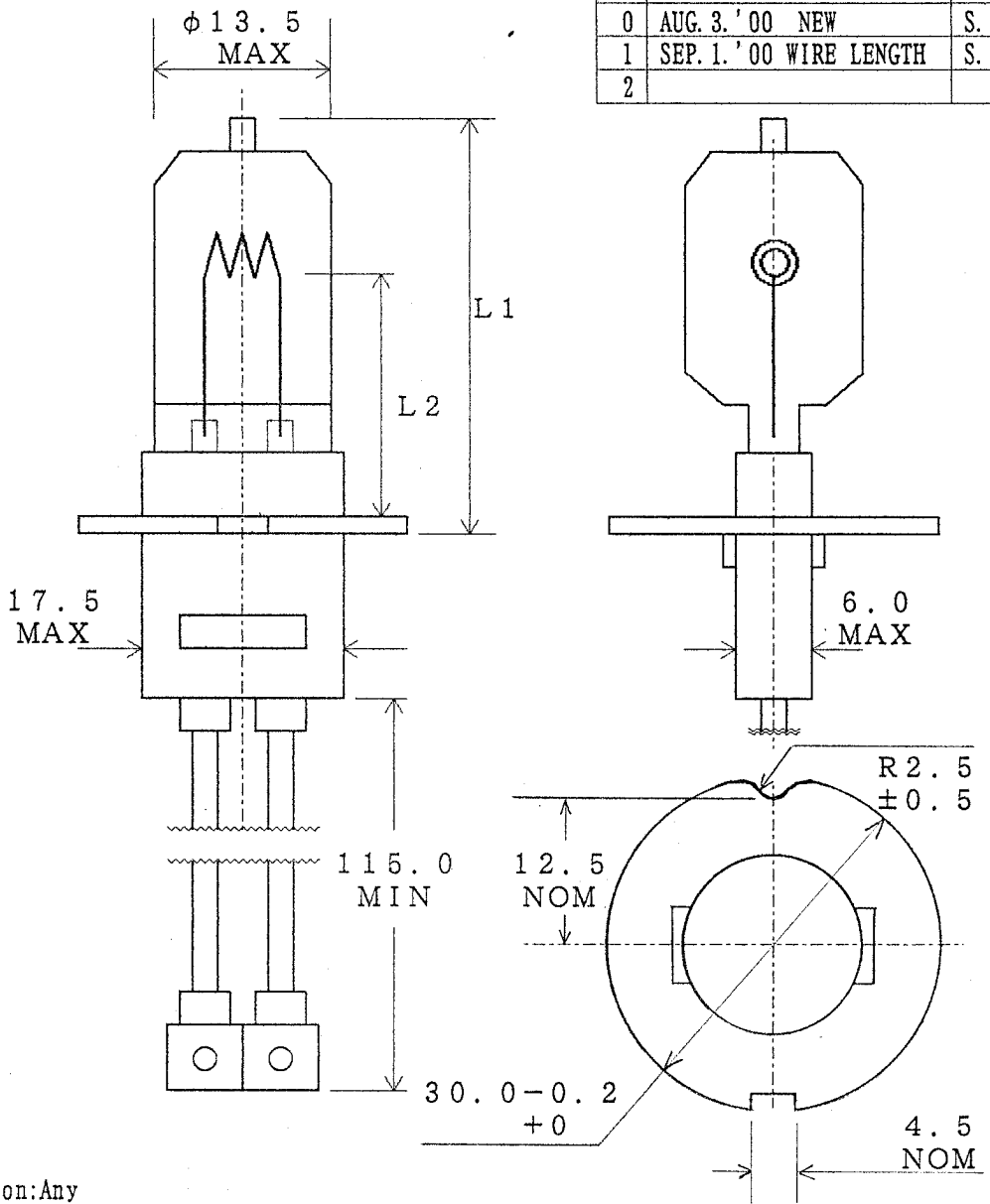


NO	Alteration	NAME
0	AUG. 3. '00 NEW	S. O
1	SEP. 1. '00 WIRE LENGTH	S. O
2		

F
i
g
u
r
e



Note
Burning position: Any

Item	Type	45W	100W	150W	200W
DIM	L1 MAX (mm)	37.0	43.0	43.0	43.0
	L2 ±0.5 (mm)	16.0	20.0	20.0	20.0
Life	Average Life (Hr)	1,000	1,000	1,000	1,000
	Approx. Lumens (lm)	800	2,200	3,600	4,800
	Color TEMP (K)	3,000	3,100	3,100	3,100
Characteristics	Wattage (W)	45	100	150	200
	CURRENT (A)	6.6	6.6	6.6	6.6
	FILAMENT	C-8	C-6/CBar-6	CC-6/CBar-6	CC-6

Products	Lamp Type	APPROVE	CHECK	DESIGN
HALOGEN	JF6.6A PK30d BASE	<i>[Signature]</i>		S.O