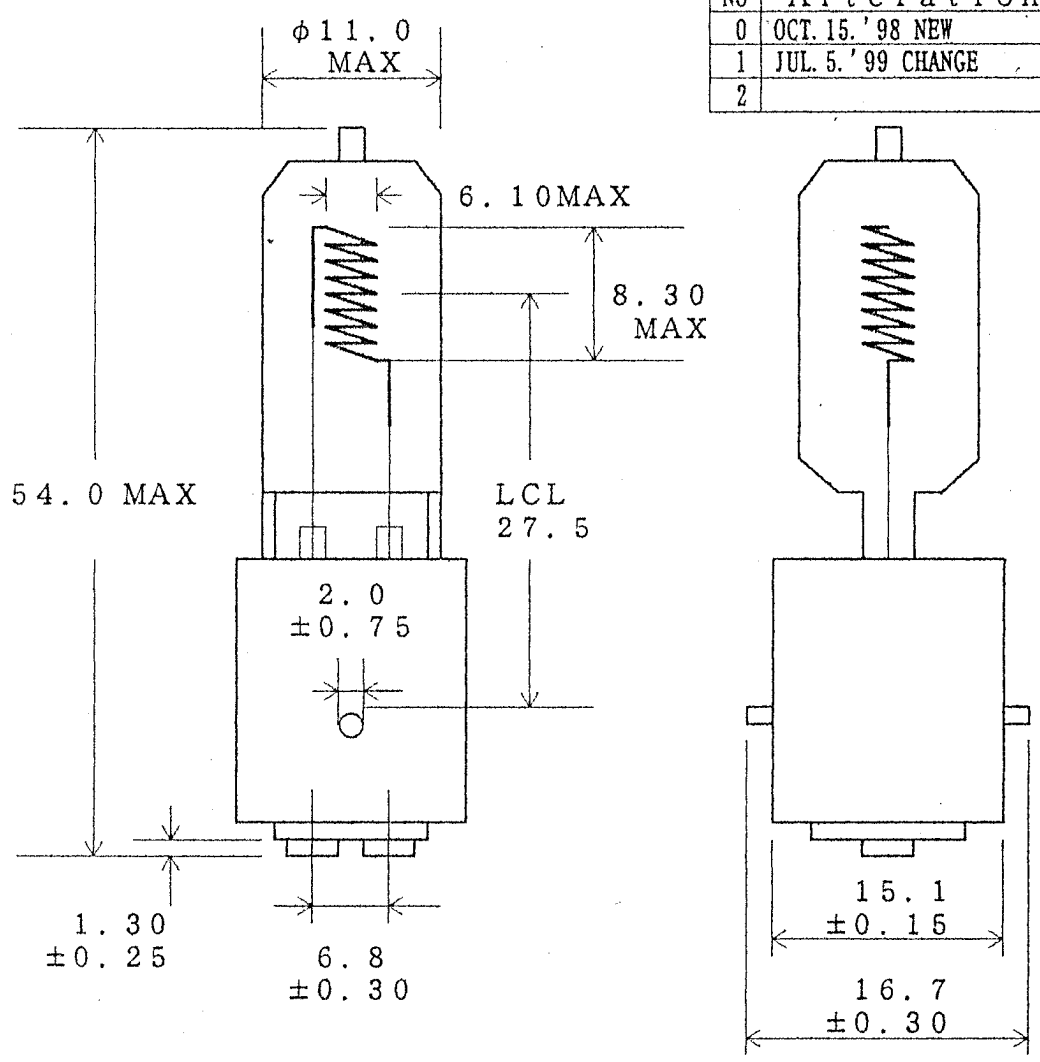


NO	Alteration	NAME
0	OCT. 15. '98 NEW	S. O
1	JUL. 5. '99 CHANGE	S. O
2		

F
i
g
u
r
e



Notes:

1. Filament must be entirely within a box 6.10W×8.30H×6.10T located on the center line of the lamp at the light-center shown.
2. Total life time (cycled 1/2 sec ON, 1/2 sec OFF)
3. Cement must be non-porous and even with top of base $\pm 2\text{mm}$
4. Entire contact eyelet must be covered with solder.
5. ~~Cracks/chips permitted in base insulator up to 0.5mm deep.~~
6. COIL:CC-8 BASE:BA15d
7. Operating limits: MAX BULB TEMP. 900° C, MIN BULB TEMP 250° C, MAX SEAL TEMP 350° C

Item	Type	A			
L i f e C h a r a c	Average Life	(Hr)	750		
	Approx. Lumens	(lm)	3,300		
	Color TEMP	(K)	3,150		
	Wattage	(W)	150		
	Voltage	(V)	28		
	Burning position		ANY		

Products	Lamp	Type	APPROVE	CHECK	DESIGN
HALOGEN	JC28V-150W	BA15dA	<i>[Signature]</i>		S.O